

ENGLISH

ISO4



FILLING INSTRUCTIONS WITH POLYKEG® MANUAL KIT

POLYKEG PRO 2.0 WITHOUT BAG



Before proceeding, please also carefully consult the warnings in 'Section 1' of the PolyKeg PRO 2.0 user manual and the keg technical sheet available in the 'Download' section of the PolyKeg website.

POLYKEG MANUAL FILLING KIT:

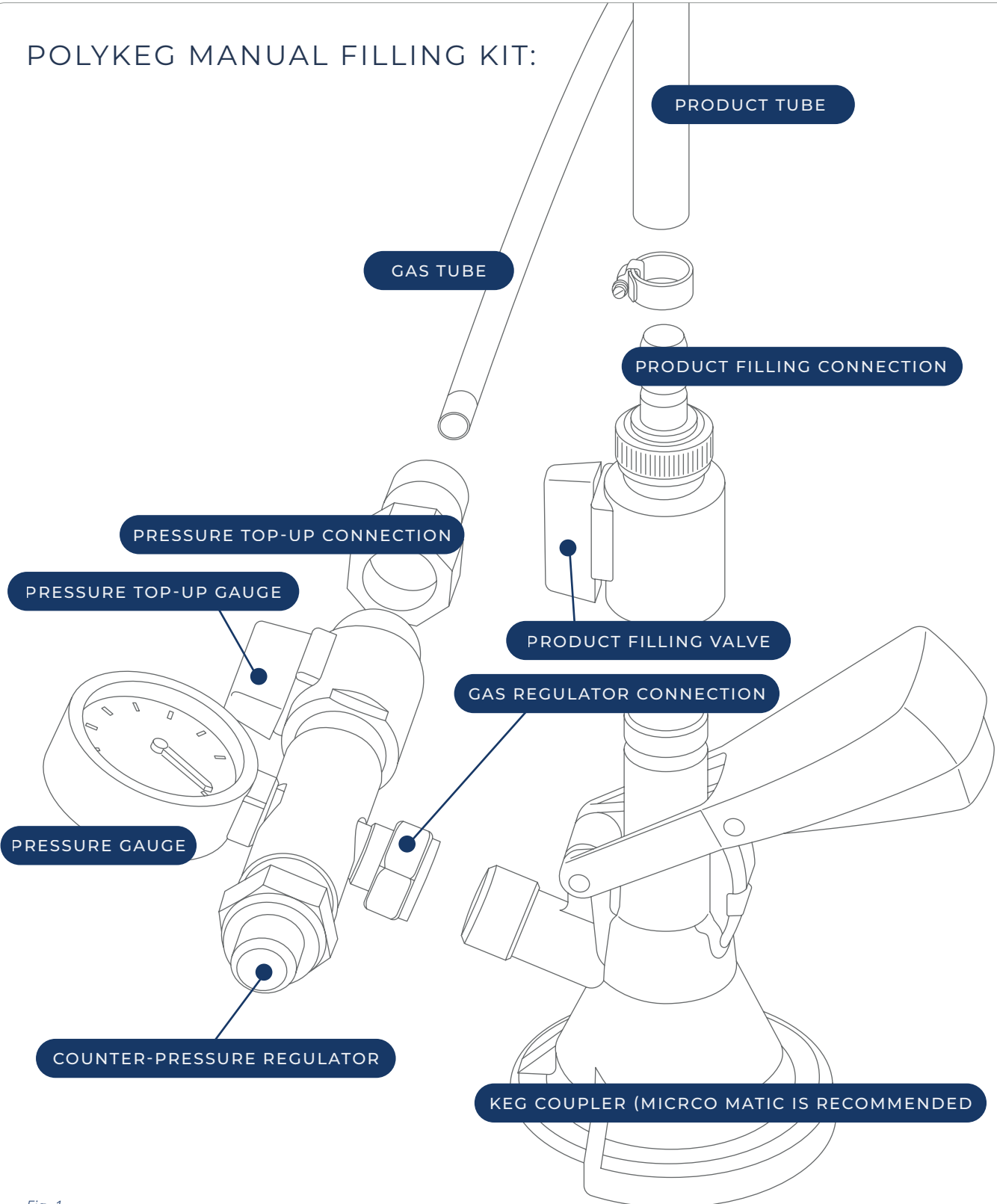


Fig. 1

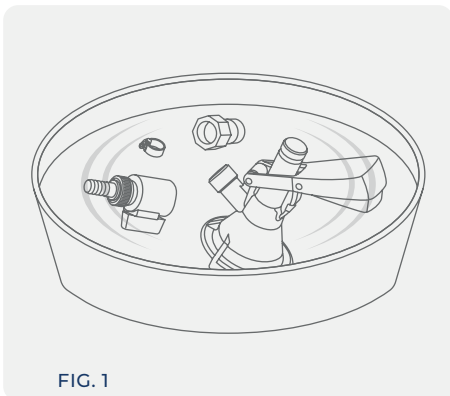
FILLING INSTRUCTIONS WITH POLYKEG MANUAL KIT **POLYKEG PRO 2.0 WITHOUT BAG**



Before proceeding, please also carefully consult the warnings in 'Section 1' of the PolyKeg PRO 2.0 user manual and the keg technical sheet available in the 'Download' section of the PolyKeg website.

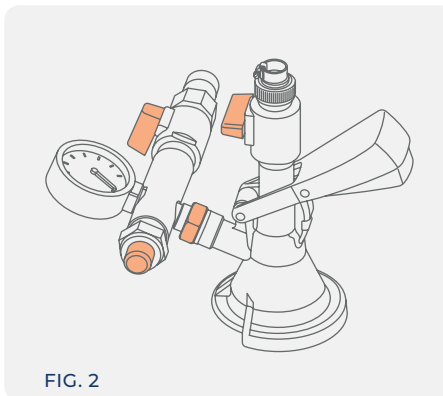
PREPARATION

1. Sanitizing



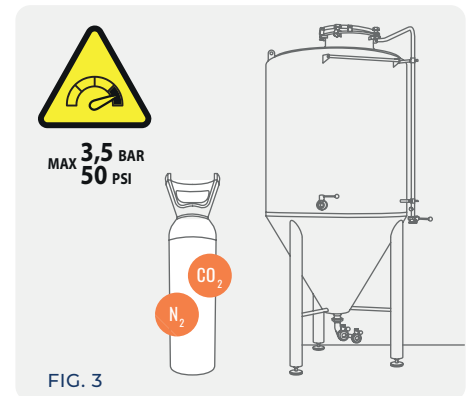
Disassemble the PolyKeg® filling kit and sanitize the components shown in the picture, following the sanitizing instructions found in "Section 5".

2. Assembly



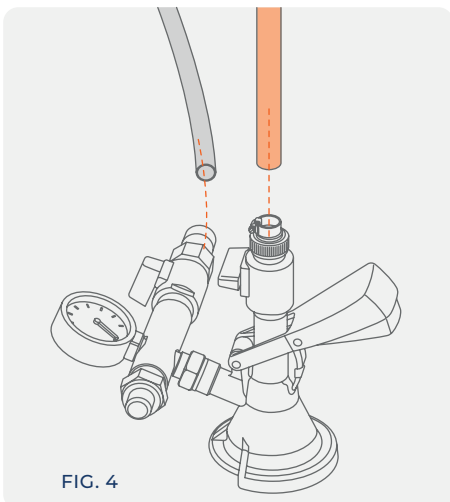
Reassemble the kit properly and close all valves.

3. Gas and product pressure check



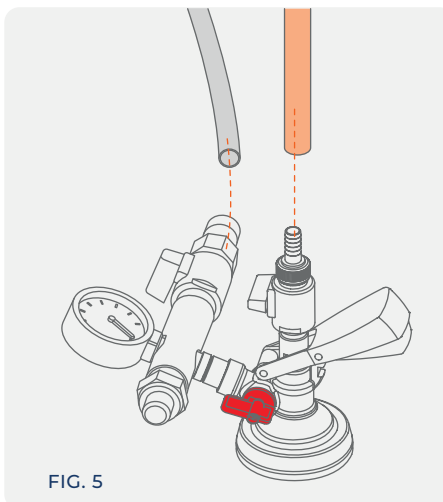
Check that both product and gas pressure in the tank does not exceed the maximum nominal working pressure (3.5 bar/ 50 psi).

4. Gas and product tubes connection



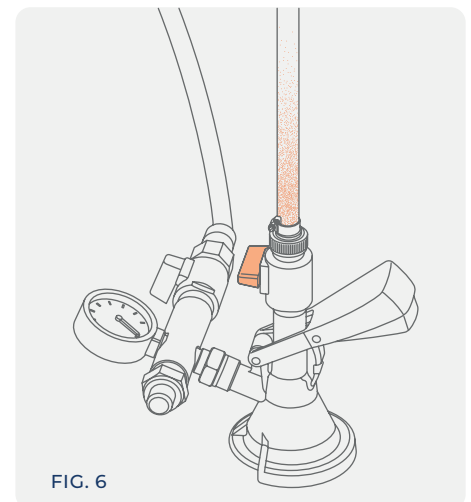
Connect the product and gas tubes to the filling kit.

5. Gas and product tubes connection with K valve



K VALVE ONLY
Connect the product and gas tubes to the filling kit. Open the red valve.

6. Product tube bleeding



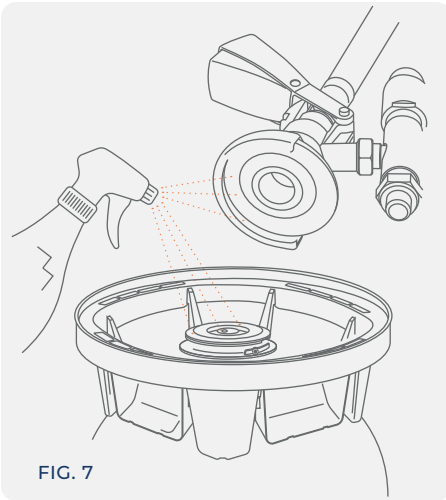
Work with the product valve to remove any residual gas from the product tube. Close the product valve.

FILLING INSTRUCTIONS WITH POLYKEG MANUAL KIT **POLYKEG PRO 2.0 WITHOUT BAG**



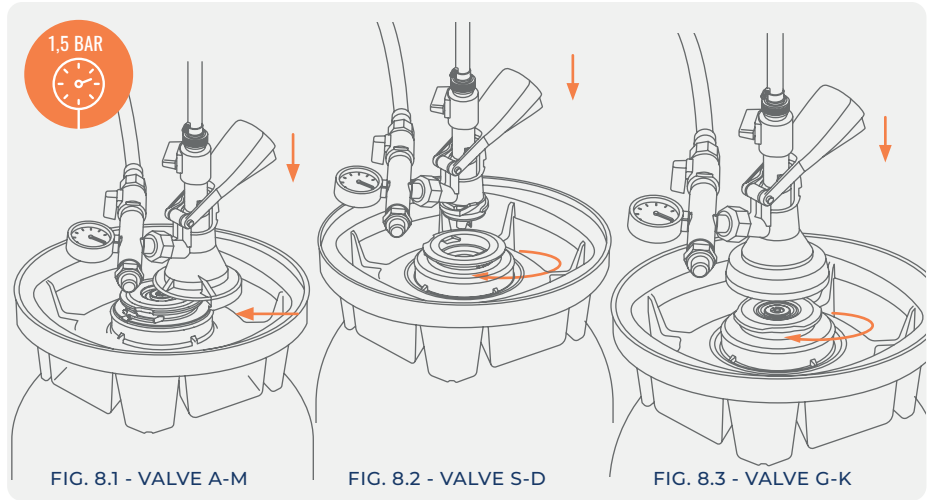
FILLING

7. Sanitizing



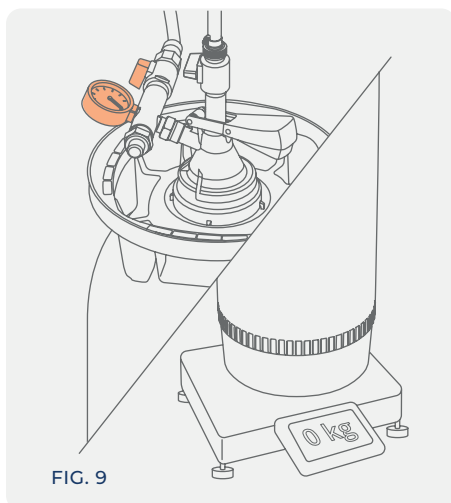
Before filling, sanitize the parts in contact with the product according to the "Sanitizing Instructions" section.

8. Filling head connection and counter-pressure check



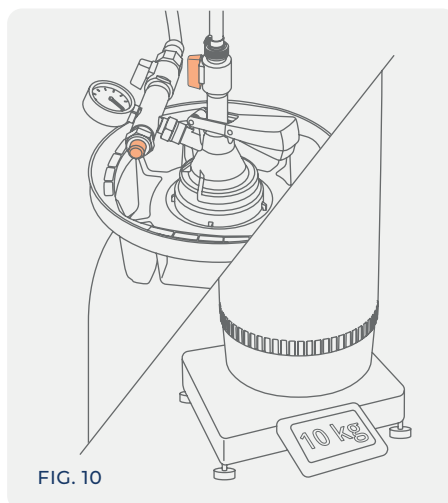
Connect properly the filling head to the valve, lower the lever and check the internal keg pressure.

9. Counter-pressure regulation



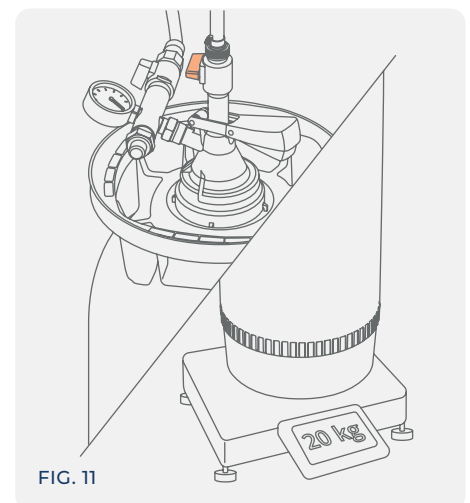
Work with the gas valve until the desired counter-pressure is reached (approx. 0.5 bar lower than the product filling pressure).

10. Filling



Open the product valve to start filling and work with the counterpressure regulator to set and/or change the filling speed.

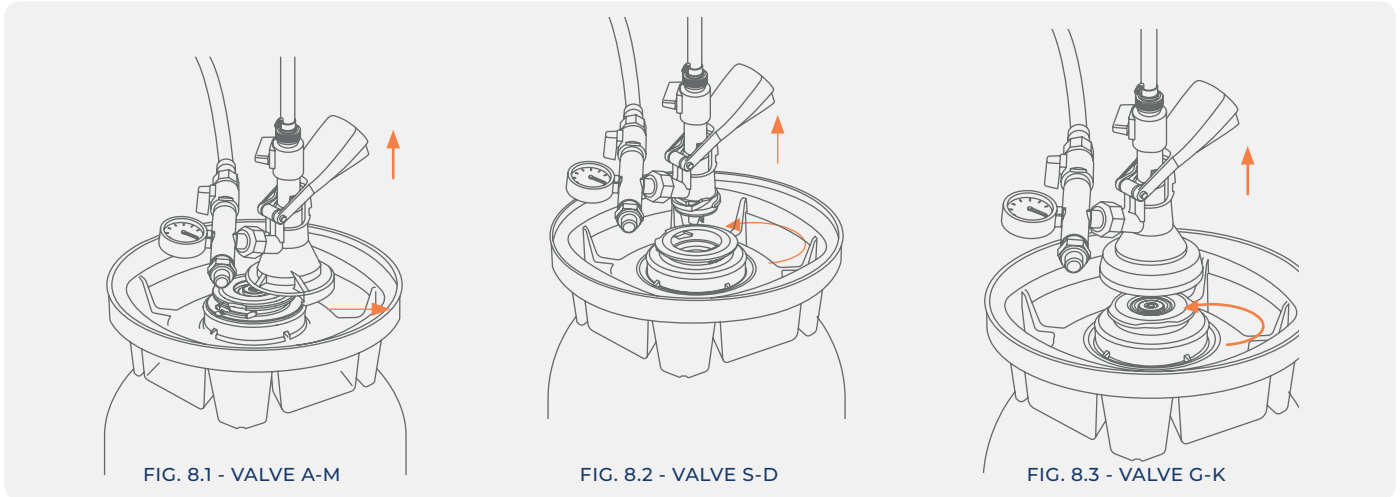
11. End of filling



Once the nominal filling volume is reached, close the product valve. Do not exceed the nominal filling volume to prevent the product from leaking.

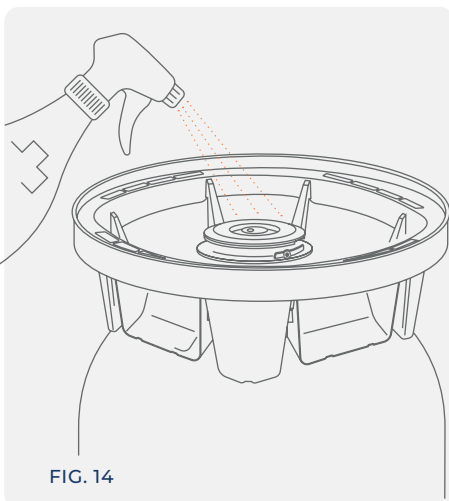


12. Uncoupling



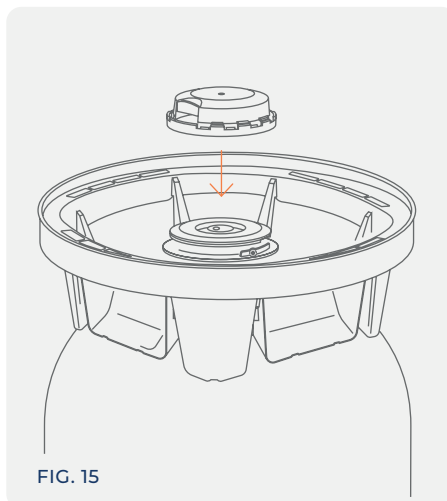
Quickly lift the lever and disconnect the coupler from the keg.

13. Valve sanitizing



Remove any residual product with water, sanitize the external part of the valve as per the "Sanitization instructions" section and dry same.

14. Seal application



Apply the keg seal.